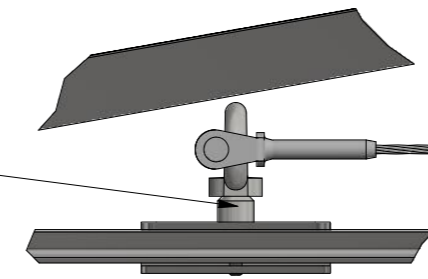


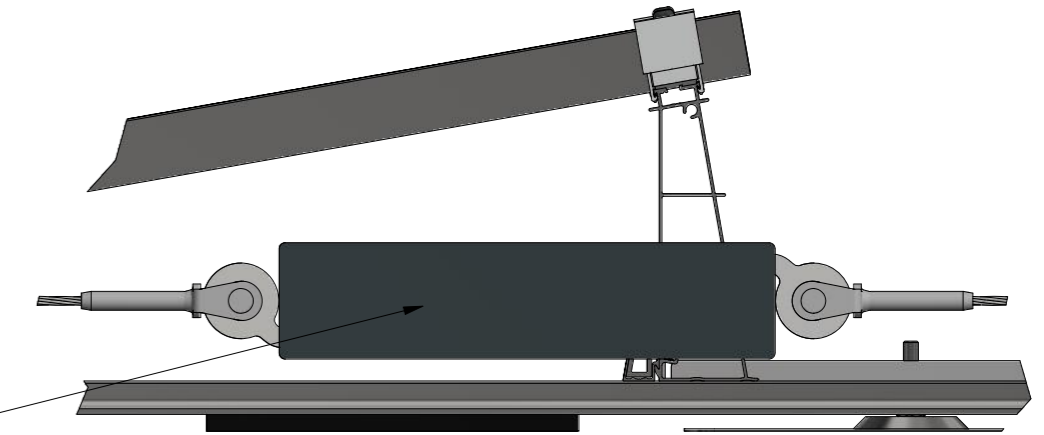
ABS Lock-X-PMT-4
Anchorage point
for attachment
at the system
PMT EVO 2.0

A (1:5)



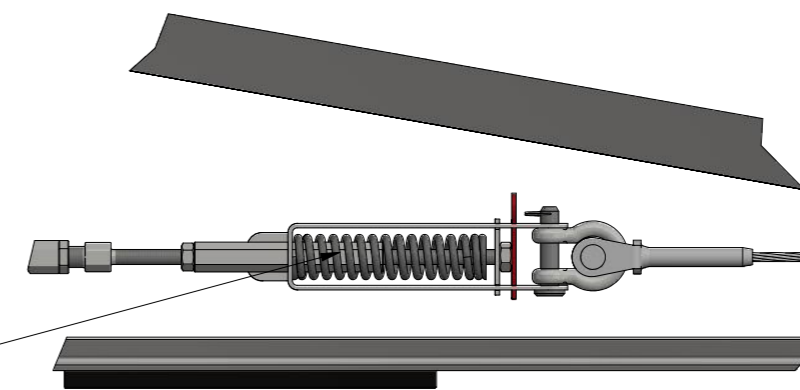
ABS ForceLimiter
If an individual falls
whilst connected up
to an ABS-Lock SYS lifeline system,
our ABS ForceLimiter reduces
the force exerted on the subsurface

B (1:5)



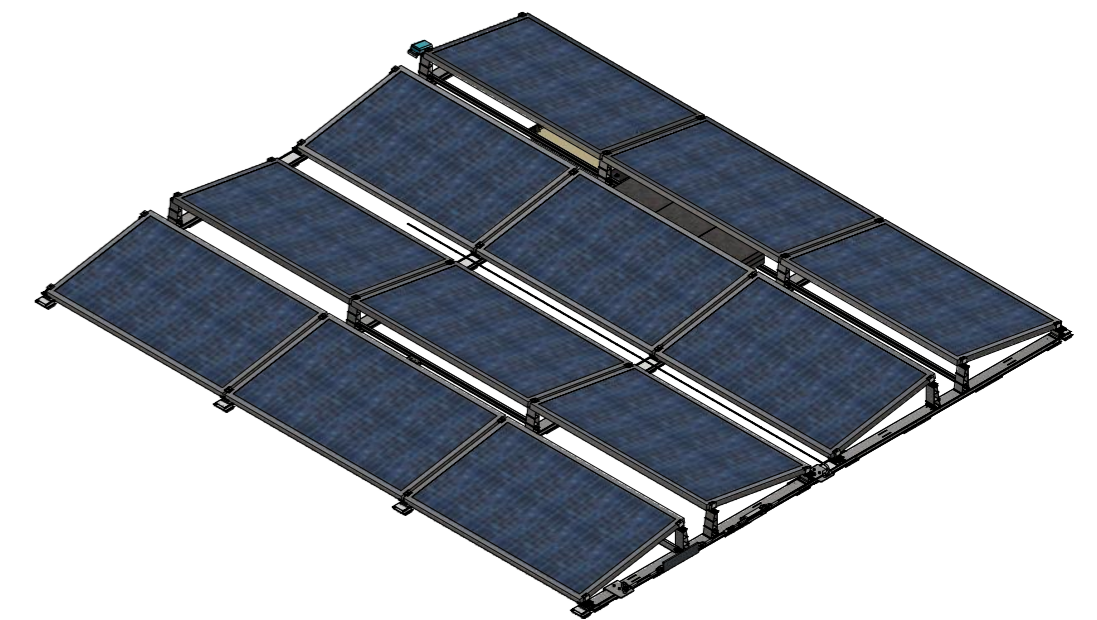
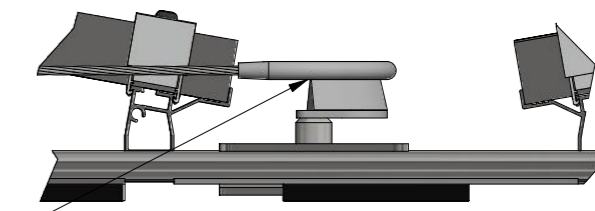
C (1:5)

ABS Compact Force
Lifeline tensioning element
- designed to compensate
deviations in temperature



D (1:5)

ABS TI-FlexCurve
Flexible and fully traversable
curve element -
specially designed for
lifeline systems



E (1:7,5)

	PREMIUM MOUNTING TECHNOLOGIES	general tolerances acc. to ISO 2768-m		system overview	
		date 25.07.2019	name a.herzog	EVO 2.0 OW10	
checked	approved	Premium Mounting Technologies GmbH & Co. KG Energiepark 1 95365 Rugendorf		principle retention system	
rev.	description	date	name	PMT-EVO 2.0-000504_retention-system ¹	
				A2	