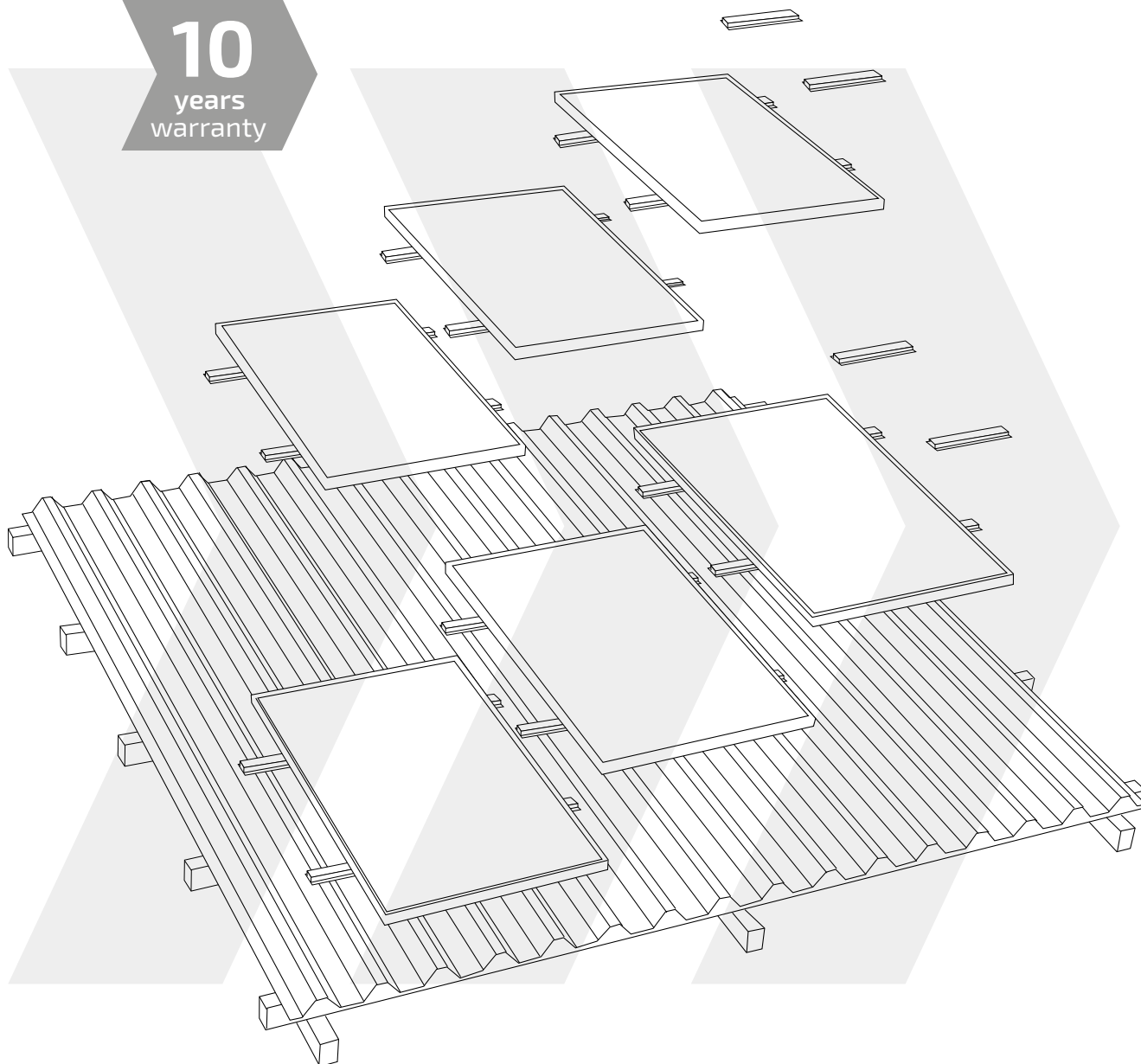


**10**  
years  
warranty



PRODUCT DATA SHEET

**MOUNTING SYSTEMS FOR TRAPEZOIDAL  
SHEET AND CORRUGATED SHEET ROOFS  
FOR FRAMED AND FRAMELESS MODULES**

# MOUNTING SYSTEMS FOR TRAPEZOIDAL SHEET AND CORRUGATED SHEET ROOFS

## FOR FRAMED AND FRAMELESS MODULES

PMT mounting systems for trapezoidal and corrugated sheet metal roofs combine fast and secure fitting with substantially lower materials usage. As a result, you will significantly optimize the margins of your projects. Our three solidly engineered systems – longitudinal sheet metal rails, transverse sheet metal rails, and brackets for attachment to the sheet metal – provide a solution for almost every roof. Our project engineers and structural engineers also provide custom solutions for exposed locations or steep roofs. Just ask us!

<b>Module types</b>	Framed solar modules with frame thickness 30 – 50 mm, and unframed modules (other types on request)
<b>Applications</b>	Trapezoidal sheet metal roofs Corrugated sheet metal roofs Curved and barrel-shaped roofs Flat roofs and low pitch roofs (others on request)
<b>Sheet metal thickness</b>	Standard steel starting at 0.5 mm Standard aluminium starting at 1.0 mm (others on request)
<b>Module orientation</b>	Vertical and horizontal
<b>Installation type</b>	Parallel to the roof
<b>Material</b>	High grade aluminium Stainless steel EPDM seals
<b>Sealing rivets, sealing inserts</b>	UV resistant, waterproof and thermally stable
<b>Colour</b>	Natural extruded finish Also available in black
<b>Special features</b>	Especially fast fitting is possible due to the optional riveted fastening

## SIMPLY THE BEST

### › Flexible applications

Carrier rails of the S:FLEX system for trapezoidal sheet and corrugated sheet roofs are available in lengths of 180 mm, 395 mm, 3150 mm and 6200 mm. Depending on the project, you can choose between the short rails, which are easy to handle, transport and store, and the long rails which are fast to fit.

### › Simple, customized planning

Our planning tool lets you create an exact, specific plan for each installation site. Wind and snow loads applicable to the existing roofing are always taken into account as well.

### › Safety for the roof:

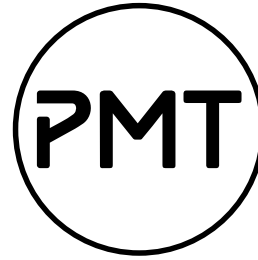
Installation of thermal expansion joints prevents tension damage to the roof and modules.

### › Fast fitting

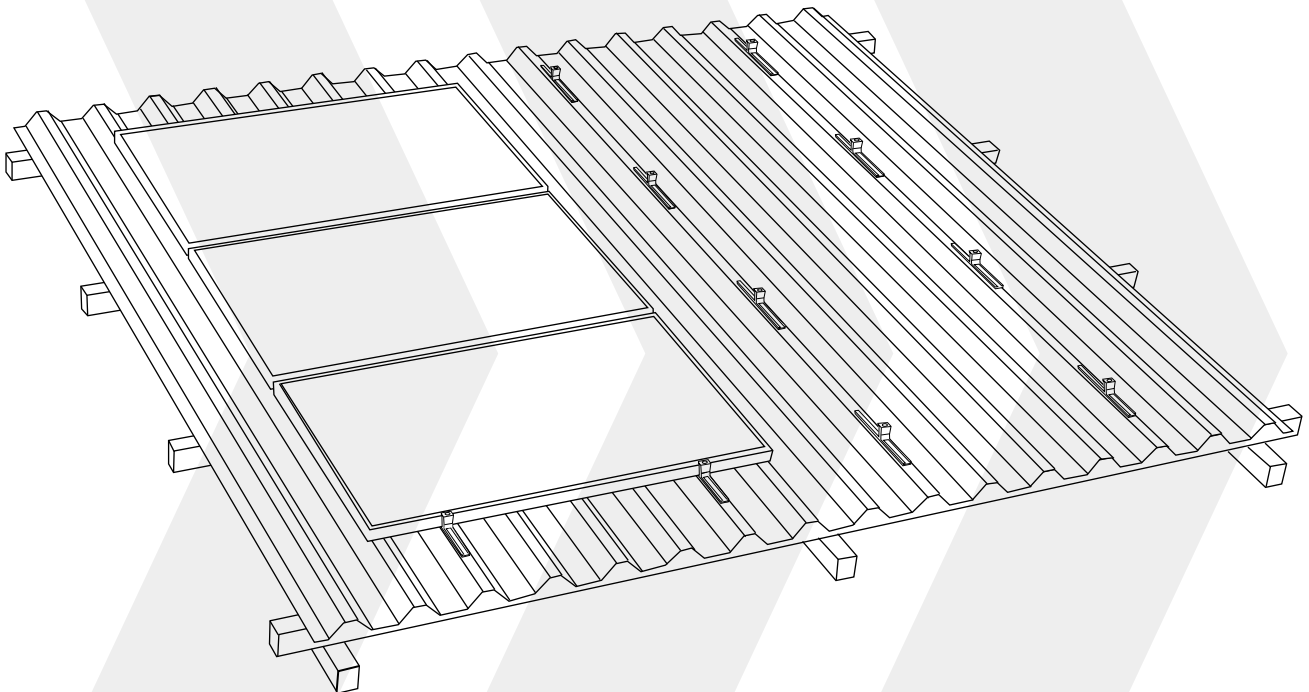
Riveted fastening allows you to easily install modules on the roof in a very short time using the prefabricated components. Alternatively, chip-free thin sheet metal screws can also be used.

Use our adjustable height brackets to obtain a level module array on uneven roofs. Modules can be fitted vertically or horizontally.

Elevated installation is also possible. We are happy to provide you with advice on this.



**10**  
years  
warranty



PRODUCT DATA SHEET

**MOUNTING SYSTEMS FOR TRAPEZOIDAL  
SHEET AND CORRUGATED SHEET ROOFS**

MOUNTING USING LONGITUDINAL SHEET METAL

# MOUNTING SYSTEMS FOR TRAPEZOIDAL SHEET AND CORRUGATED SHEET ROOFS FOR FRAMED AND FRAMELESS MODULES



Mounting rail ST-AK 1/12 complete l=180



End clamp EH AK II Klick 30-50



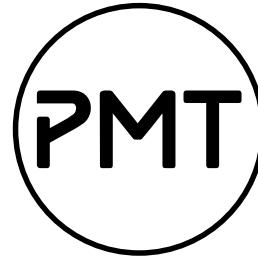
Mid-clamp MH AK II Klick 30-50

## TECHNICAL DATA

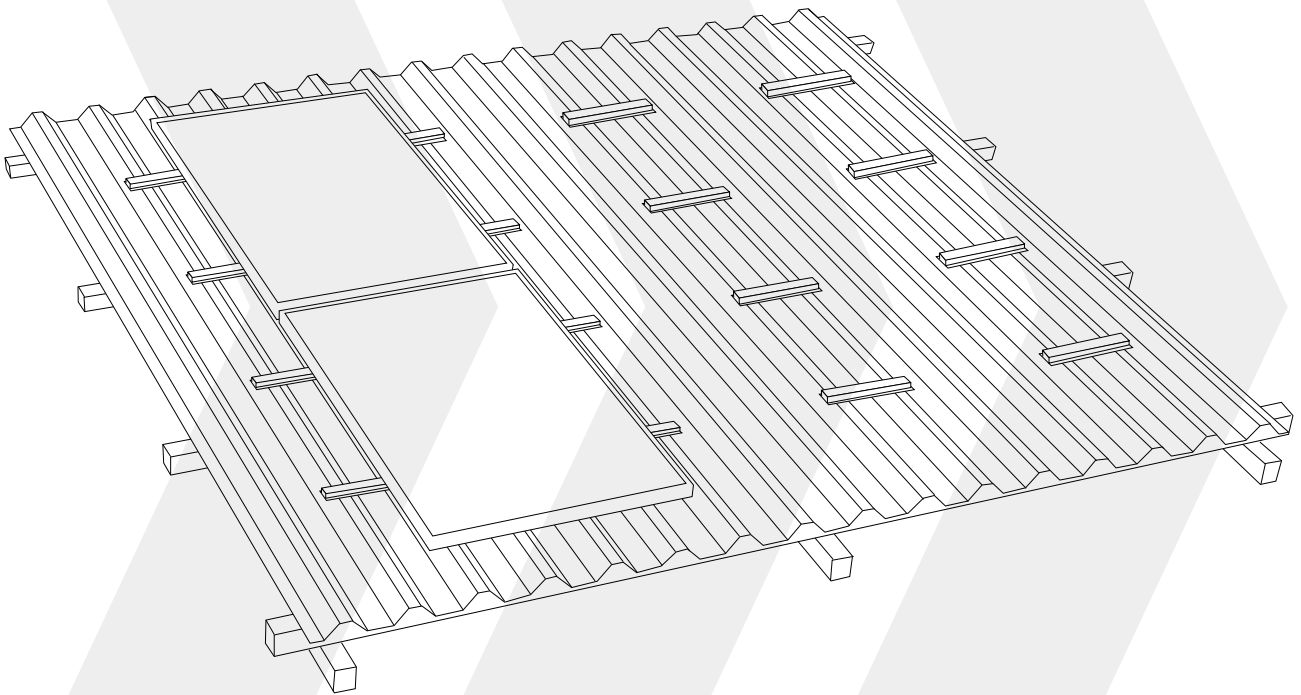
<b>Application</b>	Trapezoidal sheet metal
<b>Fastening</b>	Riveted or screwed onto raised corrugations
<b>Module type</b>	Framed modules
<b>Module orientation</b>	Horizontal
<b>Layers of rails</b>	Single layer
<b>Note</b>	Respective clearances between raised corrugations required for optimum module fastening must be adhered to

## ADVANTAGES

- › Low material / fitting costs
- › Rail lengths of 180 mm, 3150 mm and 6200 mm
- › Rail segments 180 mm (ST-AK 1/12 complete / l=180 mm) are supplied prefabricated with 3 x 2 holes (5 mm / 6.5 mm / 8.5 mm) and sealing tape covered bottom side



**10**  
years  
warranty



PRODUCT DATA SHEET

**MOUNTING SYSTEMS FOR TRAPEZOIDAL  
SHEET AND CORRUGATED SHEET ROOFS**

MOUNTING USING TRANSVERSE SHEET METAL

# MOUNTING SYSTEMS FOR TRAPEZOIDAL SHEET AND CORRUGATED SHEET ROOFS

## MOUNTING USING TRANSVERSE SHEET METAL RAILS



Trapezoidal sheet metal rail AK complete l=395 / 24



End clamp EH AK II Klick 30-50



Mid-clamp MH AK II Klick 30-50



Cross adapter clamp AK



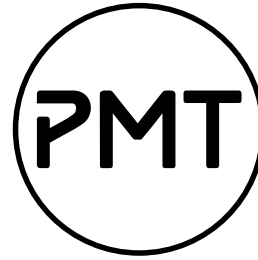
Mounting rail ST-AK 13/60

### TECHNICAL DATA

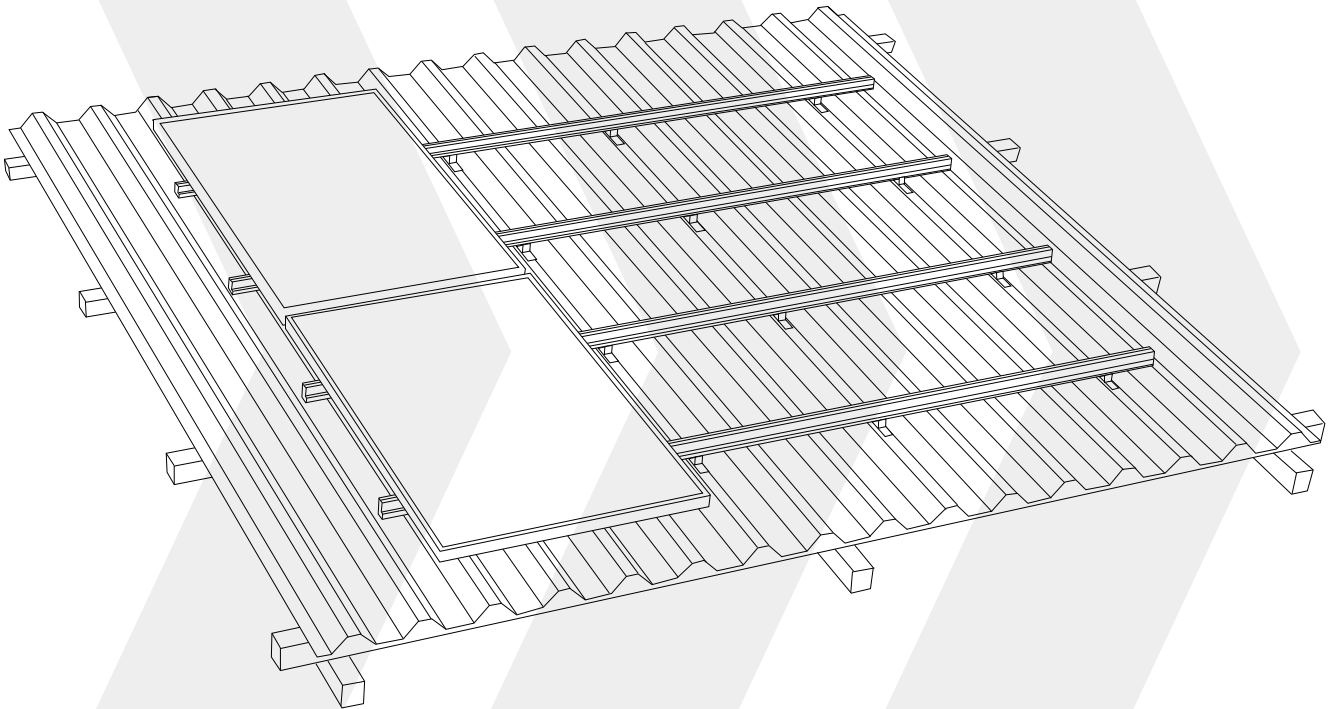
<b>Application</b>	Trapezoidal and corrugated sheet metal
<b>Fastening</b>	Riveted or screwed onto raised corrugations
<b>Module type</b>	Framed and frameless modules
<b>Module orientation</b>	Landscape / portrait
<b>Layers of rails</b>	Single / double layer, cross rail installation

### ADVANTAGES

- › Low material / fitting costs
- › Rail lengths of 395 mm, 3150 mm and 6200 mm
- › High rigidity rails suitable for heavier loads
- › Rail segments 395 mm (Trapezoidal sheet metal AK complete / l=395 mm) are supplied prefabricated with 24 holes and sealing tape covered bottom side



**10**  
years  
warranty



PRODUCT DATA SHEET

**MOUNTING SYSTEMS FOR TRAPEZOIDAL  
SHEET AND CORRUGATED SHEET ROOFS**

MOUNTING ON SHEET METAL USING BRACKETSRAILSRAILS

# MOUNTING SYSTEMS FOR TRAPEZOIDAL SHEET AND CORRUGATED SHEET ROOFS

## MOUNTING ON SHEET METAL USING BRACKETS



Mounting rail ST-AK 13/60



End clamp EH AK II Klick 30-50



Mid-clamp MH AK II Klick 30-50



Cross adapter clamp AK



Mounting rail ST-AK 5/40



Bracket for sheet metal installation complete

### TECHNICAL DATA

#### Application

Trapezoidal and corrugated sheet metal

#### Anbindung

Riveted or screwed onto raised corrugations

#### Modultyp

Framed and frameless modules

#### Modulausrichtung

Landscape / portrait

#### Schienenanlagen

Single / double layer, cross rail installation

### ADVANTAGES

- › Low fitting costs
- › Height adjustable via elongated hole in the sheet metal bracket





During assembly the assembly instructions must be observed under all circumstances.  
These can be found at [www.pmt.solutions/en/downloads](http://www.pmt.solutions/en/downloads)

---

**Premium Mounting Technologies GmbH & Co. KG**

Energiepark 1  
D-95365 Rugendorf  
T +49 9223 9459740  
F +49 9223 94597444  
info@pmt.solutions  
www.pmt.solutions

**SERVICE-HOTLINE**  
**+49 9223 9459740**

---

HOCHSCHULE COBURG  
university of applied sciences



INGENIEURGRUPPE  
KNÖRNSCHILD & KOLLEGEN