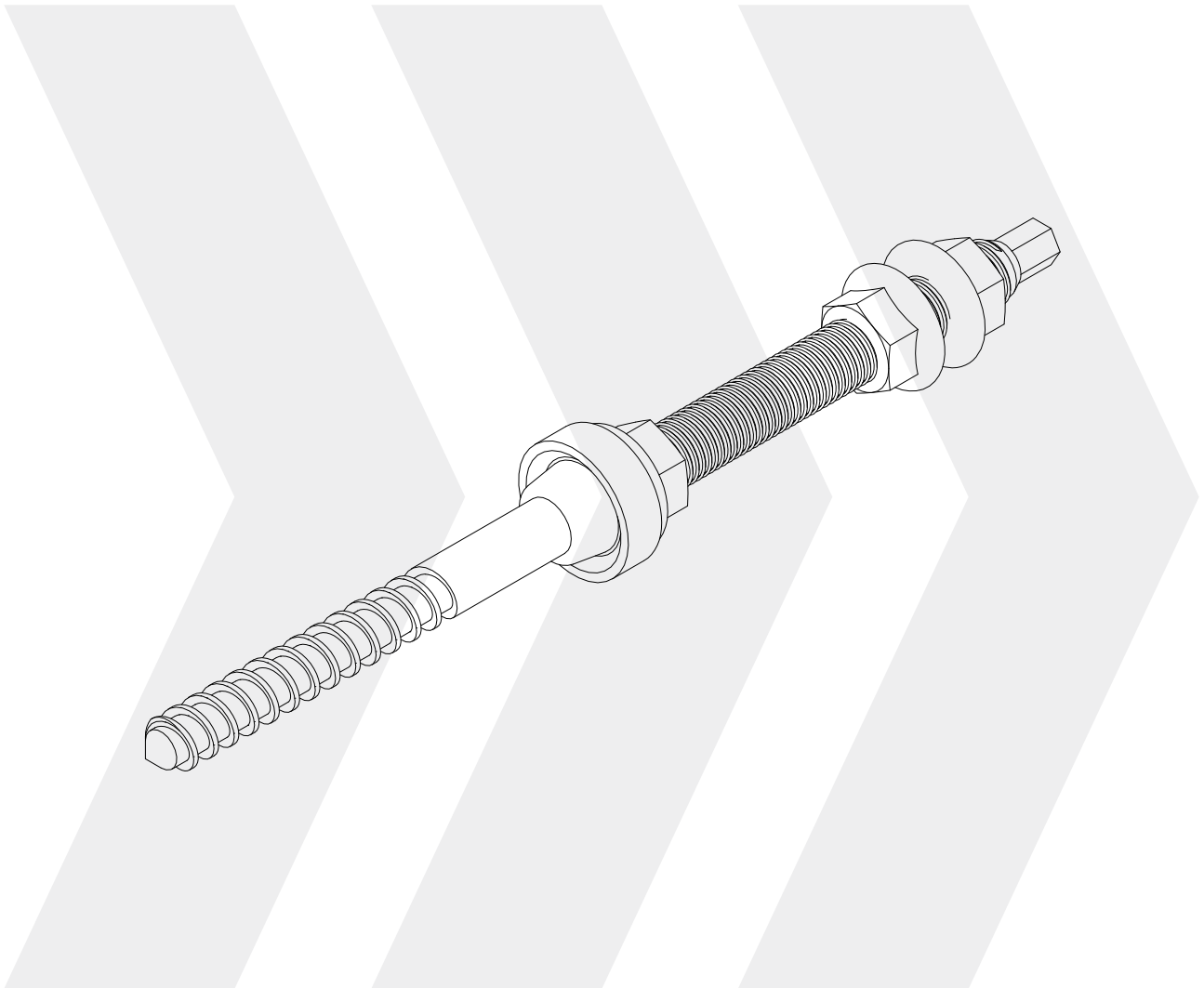


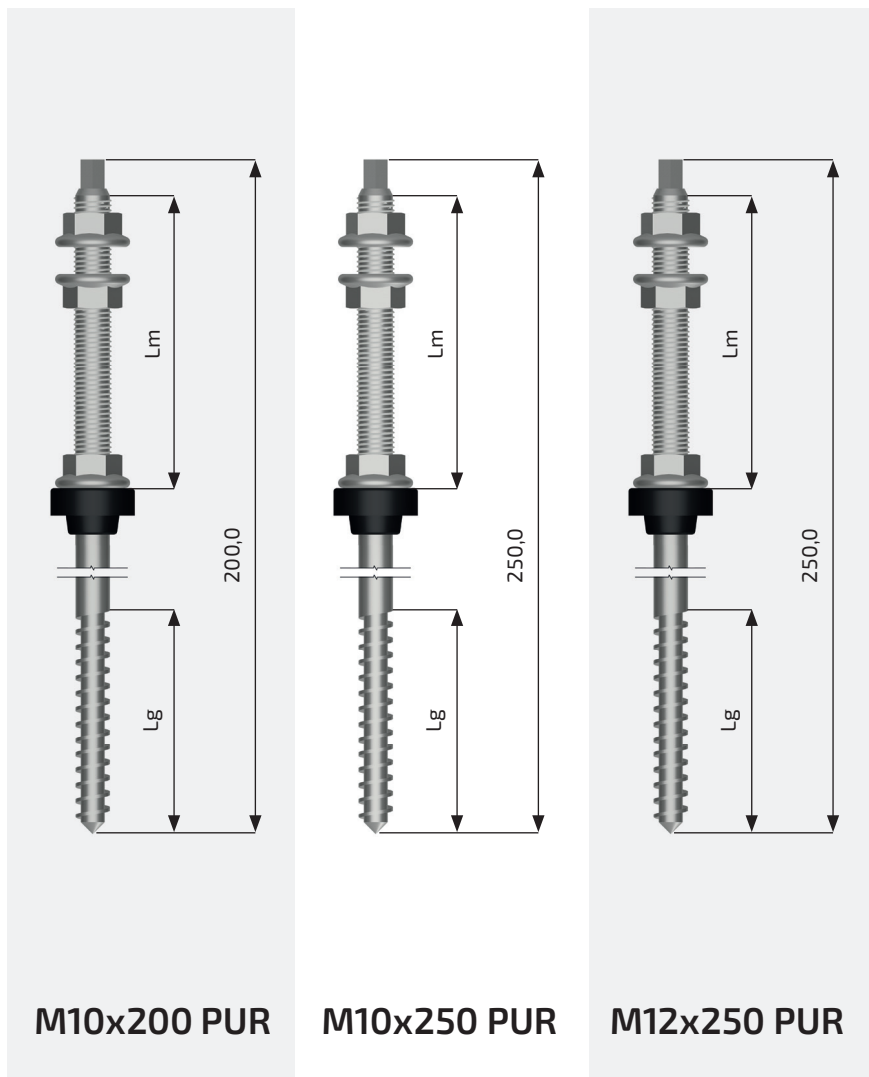
PREMIUM  
MOUNTING  
TECHNOLOGIES




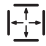


PRODUCT DATA SHEET

**PMT S-IX HANGER BOLT**

# PMT S-IX HANGER BOLT



## TECHNICAL DATA

 <b>Material</b>	X5CrNi18-10 (1.4301)		
 <b>General values</b>	Lg = 67,0 mm Lm = 85,0 mm weight = 0,128 kg diameter = 10,0 mm length = 200,0 mm	Lg = 67,0 mm Lm = 85,0 mm weight = 0,144 kg diameter = 10,0 mm length = 250,0 mm	Lg = 67,0 mm Lm = 85,0 mm weight = 0,220 kg diameter = 12,0 mm length = 250,0 mm
 <b>Notice</b>	tightening torque 20 – 25 Nm		
 <b>Screw fitting</b>	Hanger Bolt, external hexagon, AF 7 mm, pre-assembled Serrated nut DIN 6923 M10 A2 Sealing washer EPDM		



The assembly instructions must be observed during assembly.  
This assembly instruction can also be found in digital form under [www.pmt.solutions/en/downloads](http://www.pmt.solutions/en/downloads) or directly scan the QR code with your smart phone. *(Requirements: Your mobile terminal must be equipped with an appropriate app)*



**Premium Mounting Technologies GmbH & Co. KG**

Energiepark 1  
95365 Rugendorf  
GERMANY  
T +49 (0) 9223 945974-0  
F +49 (0) 9223 945974-44  
info@pmt.solutions  
www.pmt.solutions

**HOCHSCHULE COBURG**  
university of applied sciences



**mk**  
INGENIEURGRUPPE  
KNÖRNSCHILD & KOLLEGEN

Further information: [www.pmt.solutions](http://www.pmt.solutions)  
Subject to technical modifications.  
2019© Premium Mounting Technologies GmbH & Co. KG

**SERVICE-HOTLINE**  
**+49 9223 9459740**